



# RCC 70

## Return path cluster controller with remote control over phone and LAN

The new *RCC 70* is for demanding measurement and control tasks of the return path designed. It is based on the known *RCÜ 70* for up to 70 clusters, but is equipped with many new features. The proven 19-inch format was retained and allows for modular expansion of the system. An even larger number of clusters can be managed with a combination of several *RCC 70*.

As novelties are highlighted: the active combiner *ASN 7* and the *CSE-WEB* Web server with an Ethernet interface.

Over the combiner *ASN 7* is carried out the central power supply for all components. The individual plug power supplies are not necessary. More clearly arranged are the interconnection of the return path cluster switch to the cluster analyser module *RSA 5-65 E*. A return path amplifier for level adjustment is also included. The second



innovation is the new web server *CSE-WEB*, which now realize the network access, including the Internet. Thus, the operation and programming of the *RCC 70* is given with each PC.

### STANDARD EQUIPMENT

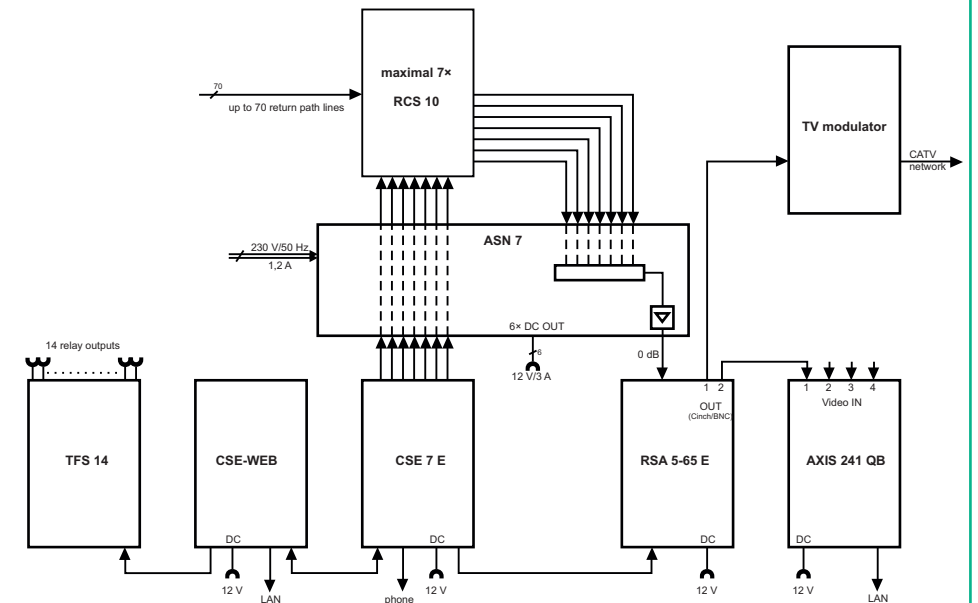
- 1x **BGT-3HE** assembly carrier 19 inch, 3 HE, mounted
- 1x **RSA 5-65 E** return path spectrum analyzer 5-65 MHz for cluster control
- 1x **CSE 7 E** cluster control unit with phone connection for RSA control
- 1x **RCS 10** return path cluster switch 10-fold, controlled from **CSE 7 E**

### OPTIONAL EXTENSIONS

- max. 7x **RCS 10** return path cluster switch 10-fold, controlled from **CSE 7 E**
- 1x **TFS 14** phone remote switch 14-fold, connection at **CSE 7 E**
- 1x **ASN 7** active combiner with power supply, return path amplifier
- 1x **CSE-WEB** Web server with Ethernet connection
- 1x **AXIS 241 QB** video server for video output over network



Modules



Wiring diagramm with all available components