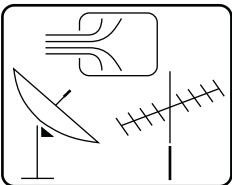


OPERATING INSTRUCTIONS

KZG 24 Set

Cable assignment device



SAT-Kabel[®]

Satelliten- und Kabelfernsehanlagen/Industrievertretung GmbH
Chemnitzer Straße 11 · 09217 Burgstädt

We thank you for buying of a product of the company SAT-Kabel®.
 This operating instructions shall help you to understand the functions of the instrument and to ease its use. If you have questions about this instrument or suggestions for further improvements, please get in touch with us.

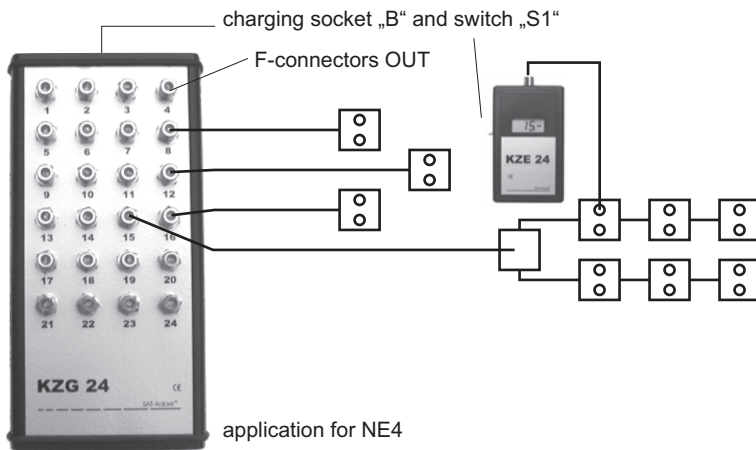
General

This device is designed for assignment of coaxial cables (antenna cables) of a in-house installation to the corresponding system outlets and reverse. The assignment is also possible over star- and tree-distribution systems. It consists of a basic device *KZG 24* (line transmitter for 24 lines) and an evaluation device *KZE 24* (receiver). By an appropriate coupling it is possible to carry out the check up under normal operating conditions of the network.

Delivery volume

- 1 KZG 24 incl. high-quality NiMH accumulator
- 1 KZE 24 incl. high-quality NiMH accumulator
- 1 Plugin charging device AC/DC
- 1 Plastic case
- Operating instructions

Operational elements



Technical characteristics:

connection for coaxial cables		up to 24 over F-connectors
possible attenuation		max. 50 dB at 10 MHz between KZG 24 and KZE 24
power supply	KZG 24	NiMH-accumulator 6 V / 1800 mAh
	KZE 24	NiMH-accumulator 6 V / 150 mAh
operating / recharging time	KZG 24	7 h / 8 h
(approx.)	KZE 24	7 h / 10 h
simultaneous operation of accumulator and battery charger is possible, however reduce the life of the accumulator.		
dimensions / weighth	KZG 24	215 mm × 110 mm × 45 mm / 0,75 kg
	KZE 24	115 mm × 65 mm × 25 mm / 0,14 kg

For attention!

- Do not measure at live objects >65 VAC!
- Do not expose incident solar radiation, heat and extreme coldness!
- The working temperature range is 0 °C until +40 °C avoid shocks by bumps or falling down. We recommend the use of the imitation leather bag.
- The F-measuring socket is a high-quality component. This one is designed for a maximum diameter of 1.1 mm of the inner conductor.

Operating

The assigning coaxial cables of the in-house installation are connected to the F-connectors of the *KZG 24*. If the accumulator is charged, the LED flashes in about 3 seconds after switch on the device with switch "S1" and indicate the operating readiness.

LED green	accumulator charged
LED yellow	work finish, accumulator charge
LED red	accumulator empty (has to charge)
Operating time with filled accumulator	about 7 hours

The handheld *KZE 24* is to switch on with the switch "S1". A green LED indicates the operating readiness. Now the instrument is to connect by means of a coaxial cable to the assigning checkpoint and the LCD display indicates the number of the coaxial line (1...24).

Cleaning and maintenance

The surface of the housing can be cleaned with a dry, soft and lintfree cloth. Do not use aggressive solvents for the cleaning.

Guarantee

State July 2006

For this instrument will be granted a service life (in following called guarantee) to following conditions:

- This guarantee is valid for new instruments purchased in Germany.
- New instruments and their components, which are defective because of production faults and/or material faults, are repaired from SAT-Kabel®.
- For wear parts, like accumulators, keyboards, housings, bags, connecting cables this guarantee is valid for 6 month from the purchasing date.
- The guarantee claim expires at matings by the purchaser or third persons.
- At defects, caused by improper handling or operating, by wrong installation or store, by improper connection or mounting, no guarantee is granted.
- For not justified demand of our service we charge the usual payment for material, working hours and forwarding costs.
- Repairs are only made with filled service covering.

Forms for service coverings and further information are found in the standard form contracts under: www.sat-kabel.de

SAT-Kabel®

Satelliten- und Kabelfernsehanlagen/Industrievertretung GmbH

Telefon: +49 3724 6665-0

Telefax: +49 3724 6665-44

E-Mail: info@sat-kabel.de

Internet: www.sat-kabel.de

Errors, technical amendmends and developments are subject to change without notice!
